



ABC Powder Wheeled Fire Extinguisher kg 50



Class of fire A IV B C

Approved EN 1866-1:2008, Marine MED, highest rate achieved - A IVB C

Offshore Type for all Marine Range Applications



T 14163_58
Y A B C
P A B C
E POWDER

a.b.s. s.r.l.

Lombardia street, 310 - 20861 Brugherio (Milan) Italy

Tel. +39 039 83963.1 (25 line) Fax +39 039 8396452

E-mail info@absfire.it - export@absfire.it - www.absfire.it

According directive 96/98/EC MED , EN 1866 and with CE-mark

The wheeled fire extinguisher is manufactured according to Directive 96/98/EC (MED) with modules B and D. As with portable extinguishers, wheeled units also have to comply with high standards to ensure their extinguishing capability (fire rating), quality and reliability. We at a.b.s. know how important it is to make the right choice in fire fighting. Recently, a new European standard for wheeled extinguishers, EN 1866, was introduced.

The a.b.s. wheeled extinguisher range is one of the first in Europe to comply with this standard.

The wheeled units also carry the CE mark so the range can boast three quality guarantees :a.b.s. (ISO 9001), compliance with EN 1866 and the CE mark.

The standard EN1866 defines important minimum levels of pressure retention, corrosion protection, operating temperatures and fire rating.

Technical Characteristics

Wheeled extinguisher is designed for professional use under severe circumstances, resulting in a high level of quality and ease of use. The heart of the wheeled powder extinguisher is the **Stainless steel powder tank with CE approval.** Ease of mobility is achieved as a result of the large wheels with solid rubber tyres and push bar also ensuring good stability during operation.

Paint external cartridge and cylinder

Painting process is specially designed to ensure the best protection against the highly aggressive salts marine environment. After the sandblasting process is applied one layer of primer two component, polyamine adduced and 1 layer high thickness **about 150 µm two component polyurethane top coat** cured with aliphatic isocyanate, with good gloss and colour retention, contains zinc phosphate.

Detachable frame

The frame is made in **Stainless steel** and it is detached from the cylinder therefore it hasn't any welded part on it, giving better safety to the unit and less corrosive points; **It is not painted, but pickled and electro polished reaching excellent resistance on salts aggressive environment.**

Headcap 2" BSP

The headcap is made of brass nickel plated and equipped with a spring loaded safety valve to prevent an unsafe situation, as a result of overfilling or during accidental unscrewing from the cylinder neck gear.

Discharge device

Equipped with a highly flexible 5m hose made in EPDM rubber with an excellent resistance manufactured from selected synthetic materials. **Brass coupling and stainless steel bushes.**

The specially designed ergonomic patented pistol ensures a steady flow of powder with a very low drop in pressure.

Propellant bottle

N2 nitrogen bottle, chromemolybdenum carbon steel, is made according to directive EN 1964-1 ECC.

Before painting it is cleaned by sand blasting thus ensuring a raw surface for a perfect and strong grasp of the epoxy polyester powder coating.

This red RAL 3000 u.v. repellent is resistant to scratches and knocks as well to corrosive weather conditions.

It is delivered complete with a brass handwheel valve and safety valve.

The valve handwheel is made by AISI 316 Stainless steel.

Extinguishing agent

Dry chemical powder German is produced according to EN 615 and ISO 9000 quality control.

The basic components of dry powder are ammonium phosphate and ammonium sulphate with special silicone additives enabling easy discharge and avoiding any caking process.

Dry powder is non-corrosive, non-abrasive, and is non toxic for humans and animals.

Advantages wheeled extinguishers

- Very mobile and easy to operate
- Excellent quality, therefore a long operational lifetime
- Good ergonomics, easy to drive
- Extremely high ratings on A, B and C class fires (solid combustibles, liquid fuels and gases)
- Can be used at low temperatures (-30°C)
- Easy to service
- First in Europe in accordance with the new EN 1866 standards
- With CE approval
- Other dry powder types available (BC, Monnex)

Technical specifications

Cylinder "Ø"	: 315 mm
Material	: Stainless steel AISI 304
Operating pressure	: 14 bar at 20°C
Test pressure according 97/23/EC	: 30 bar
Burst pressure	: >55 bar
Temperature range	: -30°C +60°C
Extinguishing agent	: Powder MAP ABC 40
Propellant	: 3 Lt (N2) 140 bar
Nominal charge	: 50 Kg
Discharge time ~	: 41 sec
Jet length ~	: 11 m

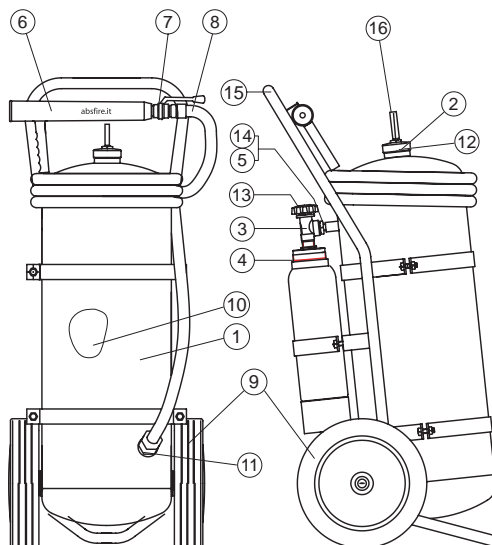


Dimensions

Height ~	: 1050 mm
Width ~	: 450 mm
Depth ~	: 550 mm
Weight ~	: 84 kg

Spare part list

Pos.	Description	Code	Q.ty
1	Cylinder (lt 54) on Stainless steel AISI 304	27029_2	1
2	Brass cap 2"	21034_1	1
3	Handwheel valve Stainless steel AISI 316	21818_5	1
4	3 Lt N2 cylinder PED-CE	20108	1
5	Adaptor for N2 cylinder W24,32	20059	1
6	Nylon discharge horn	21038	1
7	Turning ball valve 3/4" Stainless steel AISI 316	66030_5	1
8	Discharge hose L 5 mt, brass couplings, stainless steel bushes	20649_5	1
9	Ø 300 mm wheels rubber and plastic	21931	2
10	Powder ABC MAP 40%	31140	50
11	Washer ring fibre 3/4" - 15,2x24x2	20021	1
12	Washer black rubber 2" - 56x41x3	20022	1
13	Safety pin	21018	1
14	Washer ring politene 11x19x2	20021_1	1
15	Frame of the trolley Stainless steel AISI 304 pickled and electro polished	21145_2	1
16	Safety valve CE 1/4" brass nickel plated	28024	1
3+4	Spare charged Cartridge 3 L-140 bar	41230	



The use of non original spare parts may cause malfunctions loss

Maintenance and Guarantee

Maintenance must be made periodically by, trained and certified staff, according to the local regulations of the country where it is located. The extinguisher is guaranteed for 12 months from the date of the supply. The guarantee includes, repairing or replacement for production defects, unit must be sent back to the factory free of charge, only when authorized written agreement with our sales office has been reached. The guarantee expires in case of tampering and bad maintenance made by not-authorized staff. It must be recharged only by staff authorized and certified by a.b.s. S.r.l., use only genuine original spare parts.



a.b.s. s.r.l.

Lombardia street, 310 - 20861 Brugherio (Milan) Italy

Tel. +39 039 83963.1 (25 line) Fax +39 039 8396452

E-mail info@absfire.it - export@absfire.it - www.absfire.it



HOW TO REACH US

-  **By car:**
 A4 Milano - Venezia exit Agrate B.
 or Tangenziale Est (Ring-way)
 exit 12 Cologno Monzese.
-  **By plane:**
 Milano Malpensa 70 Km
 Milano Linate 16 Km
 Bergamo Orio al Serio 35 Km
-  **By train:** time 30 min.
 Milano Centrale Station,
 subway green line 2, stop to
 Cologno Monzese, + bus 5 km.

