



# 14284 Foam Wheeled It 150 Stainless steel

Approved EN 1866-1:2008, Marina MED, highest rate achieved - A IVB



CSi Certificate  
 MED/0497/144/09



Organic solid materials,  
 wood rubber, textiles etc.



Flammable liquids,  
 gasoline, oil etc.

### According directive 96/98/EC, EN 1866 and with CE-mark

The wheeled fire extinguisher is manufactured according to Directive 96/98/EC (MED) with modules B and D. As with portable extinguishers, wheeled units also have to comply with high standards to ensure their extinguishing capability (fire rating), quality and reliability.

We at a.b.s. know how important it is to make the right choice in fire fighting.

Recently, a new European standard for wheeled extinguishers, EN 1866, was introduced.

The a.b.s. wheeled extinguisher range is one of the first in Europe to comply with this standard.

The wheeled units also carry the CE mark so the range can boast three quality guarantees :a.b.s. (ISO 9001), compliance with EN 1866 and the CE mark.

The standard EN1866 defines important minimum levels of pressure retention, corrosion protection, operating temperatures and fire rating.

### Technical Characteristics

Wheeled extinguisher is designed for professional use under severe circumstances, resulting in a high level of quality and ease of use.

The cylinder, CE marked, it has the welded frame or detachable frame.

Ease of mobility is achieved as a result of the large wheels with solid rubber tyres and push bar also ensuring good stability during operation.

### Headcap 2" BSP

The headcap is made of brass and equipped with a spring loaded safety valve to prevent an unsafe situation,as a result of overfilling or during accidental unscrewing from the cylinder neck gear.

### Discharge device

Equipped with a highly flexible hose made in EPDM rubber with an excellent resistance manufactured from selected synthetic materials complete with a pistol.

The specially designed ergonomic patented foam nozzle ensures a steady flow of foam with a very low drop in pressure.

### Propellant bottle

The carbon dioxide bottle, chromemolybdenum carbon steel, is made according to directive EN 1964-1 ECC.

Before painting it is cleaned by sand blasting thus ensuring a raw surface for a perfect and strong grasp of the epoxy polyester powder coating.

This red RAL 3000 u.v. repellent is resistant to scratches and knocks as well to corrosive weather conditions.

It is delivered complete with a brass handwheel valve and safety valve.

### Extinguishing agent

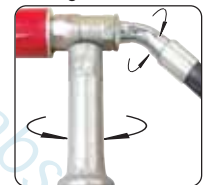
Sealfire® Super concentrate is the most powerful product registered by a.b.s. s.r.l. formulated for fire extinguisher. It is an additive AFFF based, specially formulated for best sealing effects.



Cartridge operated

Stainless Steel Cylinder

Swivel coupling  
 It allows easy unrolling of the hose avoiding twisting

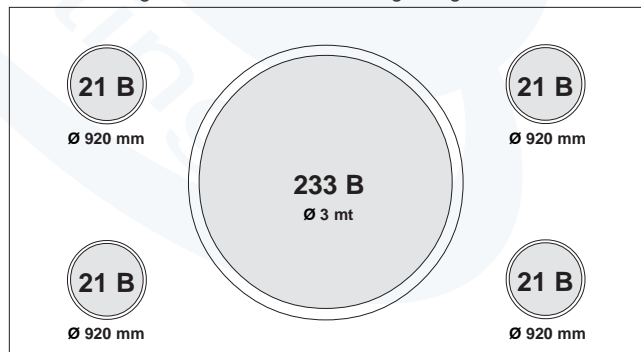


### Advantages

- Very mobile and easy to operate
- Excellent quality, therefore a long operational lifetime
- Good ergonomoy, easy to drive
- Extremely high ratings on A, B fires (solid combustibles, liquid fuels)
- Can be used at low temperatures (+0°C).  
 On request -30°C or -20°C.
- Easy to service
- First in Europe in accordance with the new EN 1866 standards
- With CE approval
- Other Foam types available.

### - Test method and result -

The 233B tray has been used and four 21B trays have been installed alongside, as from the following design.



The propellant used has been heptane.  
 Two fire tests have been performed, with extincion time of respectively 9 and 10 seconds; the test result was positive.

Classification obtained: - **EN 1866 - 233 IV B** - the highest.



**Technical specifications**

Cylinder "Ø"..... : **450 mm**  
Material..... : **AISI 304**  
Operating pressure..... : **13 bar a 20°C**  
Test pressure according 97/23/EC..... : **30 bar**  
Burst pressure..... : **>55 bar**  
Temperature range..... : **+0°C +60°C**  
Extinguishing agent A.F.F.F..... : **2% Sealfire®**  
Propellant cylinder..... : **(3.2 kg CO<sub>2</sub>)**

Nominal charge..... : **150 lt**  
Discharge time ~..... : **150 sec**  
Jet length ~..... : **8 m**  
**Dimensions**  
Height ~..... : **1380 mm**  
Width ~..... : **700 mm**  
Depth ~..... : **900 mm**  
Weight ~..... : **235 kg**

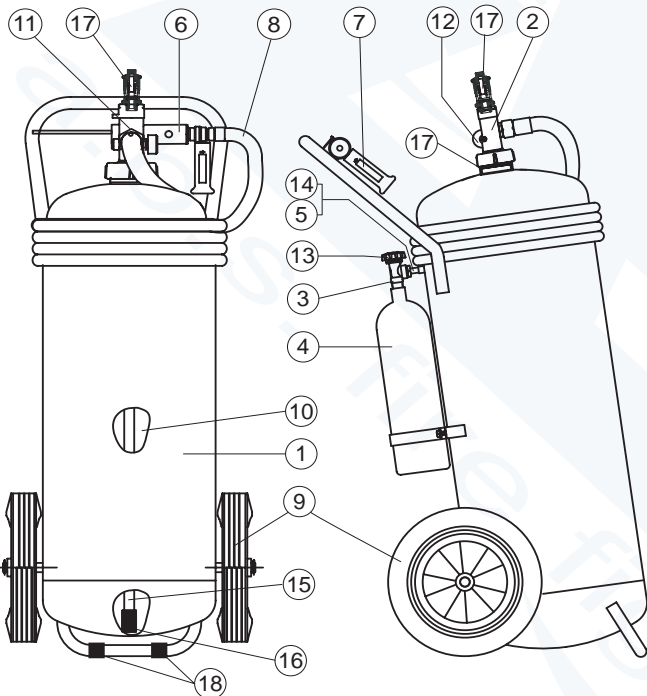
**Complete replacement spare parts**

**31303\_2 Including:**

Sealfire, 5,4 lt CO<sub>2</sub> cylinder, O-ring 2" and 4", washer rings, filter+coupling, safety seal.

The SOLAS Convention Chapter II-2 part C lays the obligation of the provision of replacement spare change for the 100% for the first 10 extinguishers installed, while the remaining fire extinguishers are needed the 50% of the replacement spare. The maximum quantity of refills shown are 60.

**Spare part list**



Pos.	Description	Code	Q.ty
1	Cylinder (lt 180) <b>Stainless steel</b>	27006	1
2	Valve G.2" with safety valve	21822	1
3	3/4" Handwheel valve	20802	1
4	5,4 lt CO <sub>2</sub> cylinder PED-CE	20105	1
5	Adaptor for CO <sub>2</sub> cylinder	20007	1
6	Foam nozzle light alloy	21006	1
7	Trigger valve brass 3/4"	66030	1
8	Discharge hose L 5 mt	20649	1
	<b>On request hose L 10 mt</b>	20649_1	
9	Ø 400 mm wheels rubber and plastic	21941	2
10	Sealfire	33395	3 lt
11	Washer ring teflon 3/4" - 13x24x2	20049	1
12	Manometer Ø 27 Brass	21534	1
13	Safety pin	21018	1
14	Washer ring teflon 11x19x2	20021_1	1
15	Siphon tube	21730	1
16	3/4" Filter + coupling	83011 + 20024	1
17	Safety valve	28024	1
18	Cap for protection foot cylinder	28073	2

**Available antifreeze -20°C or -30°C**

The family 14284 include more than one type of version.  
**14284\_1** - Cap 4" - Welded frame - **Stainless steel cylinder.**  
**14284\_2** - Cap 4" - Detachable frame - **Stainless steel cylinder.**  
**14284\_3** - 2" valve - Welded frame - Cylinder painted inside.  
**14284\_4** - Cap 4" - Welded frame - Cylinder painted inside.  
**14284\_5** - Cap 4" - Detachable frame - Cylinder painted inside.  
**14284\_6** - 2" valve - Detachable frame - Cylinder painted inside.  
**14284\_7** - 2" valve - Detachable frame - **Stainless steel cylinder.**  
**In accordance with the Directive 96/98/EC by the SOLAS 74 convention, resolutions and circulars of the IMO, EN 1866-1:2007 on the Annex A.1/3.52 Directive 2008/67/CE of the certificate and Notified by CSI SpA - No 0497.**

**Detachable frame**  
No welding on the cylinder ensure better and higher safety.

**Welded frame.**  
The axe and carrying handle are welded on the cylinder body.

**OPTIONAL**  
Large cap 4" with 1/4" safety valve, vent valve, gauge.

**STANDARD**  
2" cap with 1/4" safety valve.



The use of non original spare parts may cause malfunctions loss

**Maintenance and Guarantee**

Maintenance must be made periodically by, trained and certified staff, according to the local regulations of the country where it is located. The extinguisher is guaranteed for 12 months from the date of the supply. The guarantee includes, repairing or replacement, as manufacturer option. Unit must be sent back to the factory free of charge, only when authorized written agreement with our sales office has been reached. The guarantee expires in case of tampering and bad maintenance made by not-authorized staff, or transport damages. It must be recharged only by staff authorized and certified by **a.b.s. S.r.l.**, use only genuine original spare parts.



Technical data are subject to modification for improvements without prior notice

Data Sheet	Code	Date	Check	Rev	Pag.
Fire Extinguisher	14284	26/09/11	RB	1/AS	2/2